

SEALEY

WET & DRY INDUSTRIAL VACUUM CLEANER, 20L, 1200W/110V, STAINLESS STEEL DRUM

MODEL NO: **PC200SD110V.V3**

Thank you for purchasing a Sealey product. Manufactured to a high standard, this product will, if used according to these instructions, and properly maintained, give you years of trouble free performance.

IMPORTANT: PLEASE READ THESE INSTRUCTIONS CAREFULLY. NOTE THE SAFE OPERATIONAL REQUIREMENTS, WARNINGS & CAUTIONS. USE THE PRODUCT CORRECTLY AND WITH CARE FOR THE PURPOSE FOR WHICH IT IS INTENDED. FAILURE TO DO SO MAY CAUSE DAMAGE AND/OR PERSONAL INJURY AND WILL INVALIDATE THE WARRANTY. KEEP THESE INSTRUCTIONS SAFE FOR FUTURE USE.



Refer to
instruction
manual



Wear protective
clothing



Wear protective
gloves

1. SAFETY

1.1. ELECTRICAL SAFETY

- WARNING!** It is the user's responsibility to check the following:
 - Check all electrical equipment and appliances to ensure that they are safe before using.
 - Inspect power supply leads, plugs and all electrical connections for wear and damage.
 - Ensure that the insulation on all cables and on the appliance is safe before connecting it to the power supply.
- ✗ **DO NOT** use worn or damaged cables, plugs or connectors.
- ✓ Ensure that any faulty item is repaired or is replaced immediately by a qualified electrician.
- ✓ If the cable or plug is damaged during use, switch off the electricity supply and remove from use.
NOTE: Ensure that repairs are carried out by a qualified electrician.
- ✓ Sealey recommend that an RCD (Residual Current Device) is used with all electrical products.
Important: Ensure that the voltage rating on the appliance suits the power supply to be used and that the plug is fitted with the correct fuse.
- ✗ **DO NOT** pull or carry the appliance by the power cable.
- ✗ **DO NOT** pull the plug from the socket by the cable.

1.2. GENERAL SAFETY

- ✓ Children from age 8 years and above, persons with reduced physical, sensory, or mental capabilities those with lack of experience and knowledge can use the appliance, if they have been given supervision or instruction concerning use of the appliance in a safe way to understand the hazards involved.
- ✓ Children shall **NOT** play with the appliance.
- ✓ Cleaning and user maintenance on the appliance shall **NOT** be made by children without supervision.
- ✓ The appliance shall be disconnected from its power source during service and when replacing parts OR if the removal of the plug is foreseen, instead include the removal of the plug has to be such that an operator can check from any of the points to which he has access that the plug remains removed.
- ✓ If the supply cord is damaged, it must be replaced by the manufacturer, its service agent or similarly qualified persons in order to avoid a hazard.
- ✓ Disconnect the cleaner from the power supply before servicing, changing accessories, or performing any maintenance.
- ✓ Use only genuine parts and accessories. Unauthorised parts and accessories may be dangerous and will invalidate your warranty.
- ✓ Maintain the cleaner in good condition. Use an authorised agent for servicing. Keep machine clean, but **DO NOT** use solvents.
- ✓ For dry vacuuming ensure the locking cartridge filter is firmly in place before operating the cleaner.
- ✗ **DO NOT** operate the unit without the filter in place (except when wet vacuuming).
- ✓ Using the cleaner without a filter will cause machine faults and will invalidate your warranty.
- ✓ Wear protective clothing and gloves.
- ✗ **DO NOT** allow children or untrained persons to operate the cleaner. To be used by trained Users only.
- ✗ **DO NOT** place attachments close to your face (especially eyes, ears, etc). **DO NOT** point the hose end at other persons or animals.
- WARNING! DO NOT** vacuum hot or glowing ash, cigarette ends, inflammable, explosive, corrosive or other dangerous substances.
- ✓ **DO NOT** leave machine running unattended. Turn power supply OFF, and **DO NOT** leave the vicinity until motor has come to a complete stop.
- ✓ **DO NOT** operate the cleaner while under the influence of drugs, alcohol or impairing medication, or if you are tired.
- ✓ **DO NOT** use the cleaner in the rain or in very damp conditions.
- ✓ **DO NOT** use the cleaner for a task it is not designed to perform.
- ✓ When not in use, store the cleaner in a safe, dry, childproof location.
- ✓ Always ensure air flow both into and out of the unit is not impeded.

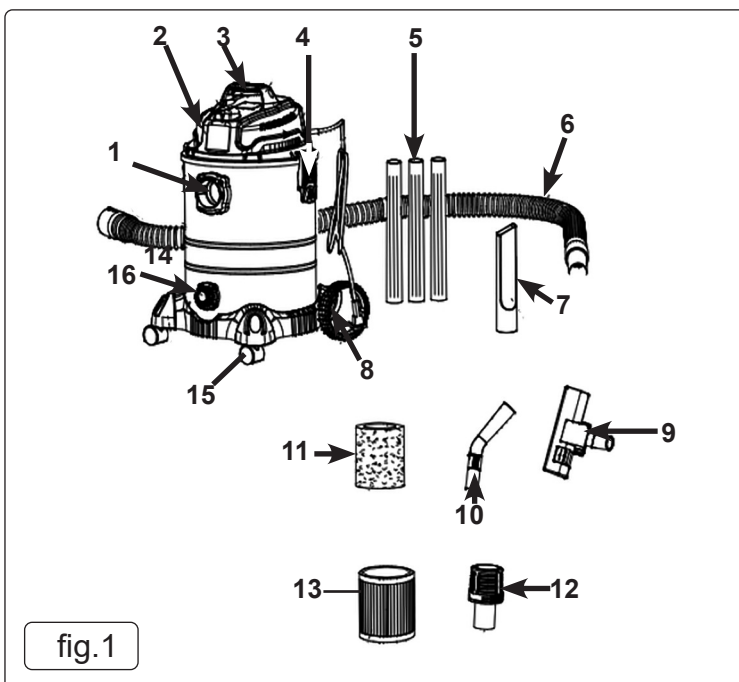
2. INTRODUCTION

High powered, lightweight, wet and dry unit with blower facility. Fitted with a powerful 1200W motor with up to 17kPa of suction power. Constructed from rust-resistant stainless steel with tool and cable storage points on the base. Features two fixed wheels and two swivel castors for easy manoeuvrability. Ideal for vehicle cleaning, job site and general workshop use. Supplied with crevice tool and floor brush, cartridge and foam filters, stainless steel extension tubes, 4m cable and 110V plug.

3. SPECIFICATION

Model No.: PC200SD110V.V3
 Airflow: 126m³/hr
 Consumable Parts:
 PCU01 foam filter, PCU02 Hepa filter, PCU03 Dust bag
 Drum Size: 20L
 Filter Type: Cartridge & Foam
 Maximum Vacuum Pressure: 17kPa
 Motor Power: 1200W
 Nett Weight: 4.79kg
 Plug Type: Yellow - 16A-2P+E
 Power Supply Cable Length: 4m
 Supply: 110V
 Sound Pressure: 85db(A)
 Vacuum Accessories Diameter: 35mm

4. CONTENTS



Item No.	Description
1	Hose Inlet
2	Top Cover
3	Handle
4	Tank Clips
5	Extension Tubes
6	Flexible Hose
7	Crevice Nozzle
8	Base for Rear Wheel
9	Floor Brush
10	Flexible Hose Adaptor
11	Foam Filter
12	Noise Diffuser Muffler
13	HEPA Filter
14	Base for Swivel Castor
15	Wheel Swivel Castor
16	Drain

5. ASSEMBLY

- 5.1. Ensure the mains plug is disconnected.
- 5.2. Fix handle (fig.1.3) to Top Cover (fig.1.2) using self tapping screws supplied.
- 5.3. Undo Tank Clips (fig.1.4).
- 5.4. Lift off the Top Cover assembly (fig.1.2).
- 5.5. Locate contents for assembly if not already done so and remove from inside of vacuum drum and check against contents list above.
- 5.5.1. Turn the drum upside down and insert the rear wheel assembly bases (fig.1.8) which are marked 1 and 2. Insert the wheel assembly into the two slots in the base ensuring that the number on each moulding matches the number to be found on the base. Ensure they are pushed all the way in and fix them with the self tapping screws provided. **DO NOT** overtighten.
- 5.5.2. Push the rear wheels onto the spigots in the mouldings.
- 5.5.3. Insert the castor swivel bases (fig.1.14) into the slots in the base either side of the drain cap (fig.1.16). Ensure they are pushed all the way in and fix them with the self tapping screws provided. **DO NOT** overtighten. Insert Swivel Castors (fig.1.15) into socket in moulding.
- 5.6. For dry vacuum cleaning use the HEPA filter supplied (fig.1.13) and push it fully down onto the filter basket, and lock in place.
- 5.7. For wet vacuum cleaning remove the HEPA filter and slide the supplied foam filter (fig.1.11) onto the filter basket.
NOTE: DO NOT operate the cleaner without a filter fitted as this will damage the machine and invalidate your warranty. Ensure filter is correctly fitted before every use.
- 5.8. Replace the power head assembly onto the drum ensuring that the on/off switch is above the flexible hose connection (fig.1.1).
- 5.9. Align the ridges on the rim of the power head with the two side clips. Place the upper part of each clip over the ridges and snap the clips into place by pressing on the lower part of each clip in turn (fig.1.4).
- 5.10. Align the arrow symbol on the large end of the flexible hose (fig.1.16) with the pin on the front inlet of the drum. Push the fitting into the hose inlet (fig.1.1) and lock in place by turning the fitting clockwise.
- 5.11. Align the arrow symbol on the large end of the vacuum hose (with the spigot) on the front inlet of the drum. Push the fitting into the inlet and lock in place by turning the fitting clockwise.

6. DRY VACUUM CLEANING

- WARNING!** Ensure you read, understand and apply Section 1 'Safety Instructions'. Reminder: **DO NOT** vacuum hazardous substances. Use of an incorrect filter will invalidate your warranty.
- WARNING!** Ensure the machine is unplugged from the power supply. Undo Tank Clips (fig.1.4).

- 6.1. Lift off the Top Cover assembly (fig.1.2), invert it to expose the underside and screw the HEPA filter (fig.1.13) over the filter basket and push fully home.
- 6.2. Reposition the Top Cover assembly into the drum body, and clip in place.
- 6.3. Insert the larger end of the flexible hose into the front inlet on the container and lock in place.
- 6.4. Insert Noise Diffuser Muffler (fig.1.12) into the exhaust port in the Top Cover
- 6.5. Push the required attachment onto the free end of the hose.
Plug in the power supply and switch to the 'On' (position 'I'). When you have completed vacuuming, press the switch to 'off'.

7. WET VACUUM CLEANING

- WARNING!** Ensure you read, understand and apply Section 1 'Safety Instructions'.
- WARNING!** Remove plug from power supply before opening unit. **DO NOT** vacuum solvents, explosives, inflammable and/or hazardous liquids such as petrol, oil, spirits, paint, thinners, acids etc.
- 7.1. Ensure the machine is unplugged from the power supply. Make sure the tank is clean and free from dust and dirt.
- 7.2. Unclip the Top Cover assembly (fig.1.2) and remove from drum.
- 7.3. Remove the HEPA filter and fit a foam filter over the filter basket (fig.1.11) Refit the Top Cover assembly onto the drum.
- 7.4. To the same flexible hose used in dry cleaning, fit the desired nozzle.
- 7.5. Insert Noise Diffuser Muffler (fig.1.12) into the exhaust port in the Top Cover.
- 7.6. Ensure the switch is 'Off' (position '0') before plugging into the power supply.
- 7.7. Press the switch to 'On' (position 'I').
NOTE: To vacuum large quantities of liquid, from a sink or tank etc, **DO NOT** immerse the nozzle completely in the liquid, leave a gap at the top of the nozzle opening to allow an air inflow.
The machine is fitted with a float valve which stops the suction action when the tank has reached its maximum capacity. The user will notice an increase in motor speed. When this happens, turn off the machine, disconnect from power supply, remove the power head from the container and drain the liquid (fig.1.16) into a suitable receptacle or drain. To continue vacuuming, refit the power head and proceed. After wet vacuuming, turn the machine off and unplug from power supply. Empty the container and clean and dry the inside and outside before storage.
- ✓ After wet vacuuming the foam filter must be removed and HEPA filter must be fitted before dry vacuuming again.
- WARNING!** Not designed for liquid storage. Always empty liquids after use and before storing.

8. BLOWING

- 8.1. Ensure the power switch is turned off and unit is disconnected from mains power supply.
- 8.2. Push the large end of the flexible hose into the blow connection in the Top Cover assembly.
- 8.3. Switch on the power (position 'I').
- 8.4. Insert Noise Diffuser Muffler (fig.1.12) into the hose inlet port in the Top Cover.
- 8.5. The unit will now blow through the hose and can be used to clear obstructions within the pipe.
 WARNING! If after a few seconds the hose is still blocked turn off the unit and clear the hose manually.

NOTE: In the event of blockages ensure the machine is switched off and disconnected from mains power supply and refer to Troubleshooting (Section 10).

9. MAINTENANCE

- 9.1. **GENERAL MAINTENANCE.**
 - 9.1.1. Ensure the machine is switched off and unplugged from the power supply.
 - 9.1.2. Disconnect the hose from the container.
 - 9.1.3. Undo the clips and remove Top Cover assembly from the container.
 - 9.1.4. Clear out any dirt or debris from the container and hose.
 - 9.1.5. Clean the foam filter by washing it in a mild soapy solution.
 - 9.1.6. Check that the telescopic suction tube operates smoothly and check the power cable to make sure it has not received any damage.
- 9.2. **HEPA FILTER MAINTENANCE.**
 - 9.2.1. Handle the filter carefully when cleaning or installing.
 - 9.2.2. Carefully remove the filter and inspect it for damage. A filter that has small holes or tears in it will not perform efficiently and should be replaced.
 - 9.2.3. To clean a dry filter, tap it inside a waste bin.
* **DO NOT** use the filter if it becomes wet as the filter will clog quickly and be very difficult to clean. The cartridge filter is designed for dry vacuuming only). Should the filter be inadvertently wetted it should be rinsed from the inside and allowed to air dry for 24 hours.

10. TROUBLESHOOTING

PROBLEM	CAUSE	SOLUTION
1) Cleaner will not operate	1a) No power supply	Check supply
	1b) Faulty power cable, switch or motor	Check and repair or replace faulty item
	1c) Container full of liquid	Empty container
2) Dust comes from the motor cover	2) Filter missing or damaged	Fit or replace cartridge filter
3) Reduced efficiency and increased motor speed/vibration	3a) Dust container full	Empty container
	3b) Filter clogged	Clean or replace cartridge filter
	3c) Nozzle, hose or container inlet blocked	Check nozzle, hose & container inlet for blockage

11. END OF LIFE

11.1 Dispose of unit in accordance with local and national regulations and contents of page footers WEEE and Environment Protection.



WEEE REGULATIONS

Dispose of this product at the end of its working life in compliance with the EU Directive on Waste Electrical and Electronic Equipment (WEEE). When the product is no longer required, it must be disposed of in an environmentally protective way. Contact your local solid waste authority for recycling information.



ENVIRONMENT PROTECTION

Recycle unwanted materials instead of disposing of them as waste. All tools, accessories and packaging should be sorted, taken to a recycling centre and disposed of in a manner which is compatible with the environment. When the product becomes completely unserviceable and requires disposal, drain any fluids (if applicable) into approved containers and dispose of the product and fluids according to local regulations.

Note: It is our policy to continually improve products and as such we reserve the right to alter data, specifications and component parts without prior notice. Please note that other versions of this product are available. If you require documentation for alternative versions, please email or call our technical team on technical@sealey.co.uk or 01284 757505.

Important: No Liability is accepted for incorrect use of this product.

Warranty: Guarantee is 12 months from purchase date, proof of which is required for any claim.



REGISTER YOUR
PURCHASE HERE

Sealey Group, Kempson Way, Suffolk Business Park, Bury St Edmunds, Suffolk. IP32 7AR



01284 757500



sales@sealey.co.uk



www.sealey.co.uk